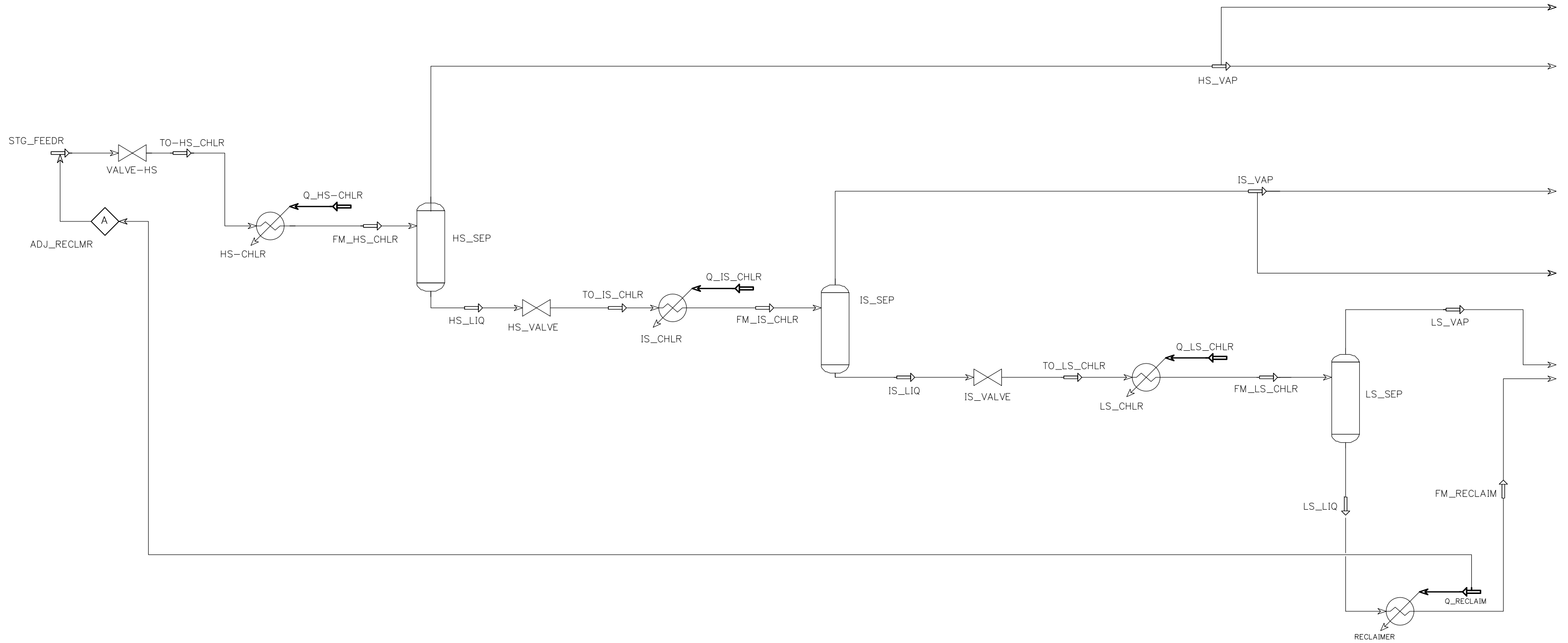


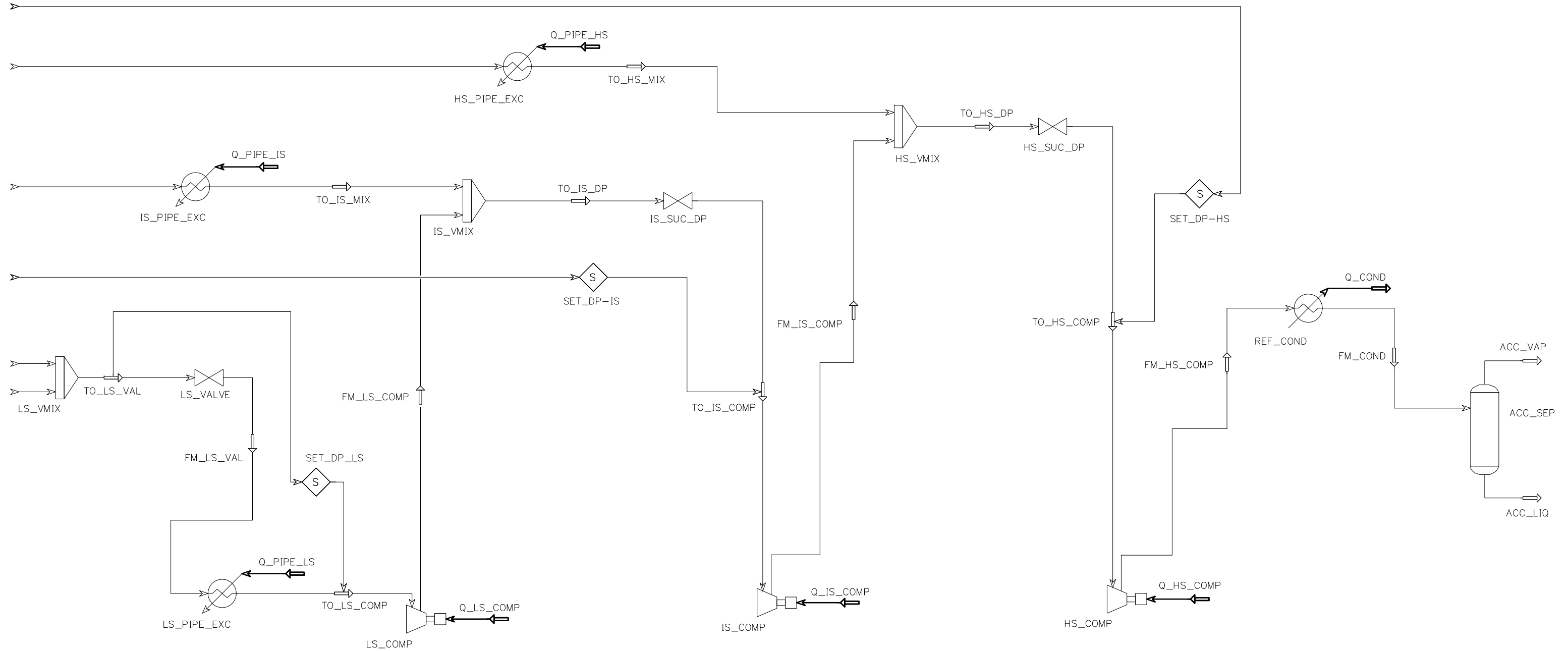
TYPICAL GAS COMPRESSION SYSTEM
 150 MMSCFD CASE
 (HYSYS SIMULATION)



(Visit our WEBSITE at www.triadenghou.com.)

No.	REVISION	BY	DATE	CHK.	Triad Engineering Bartown, Texas			
					LOCATION	SCALE	DRAWN BY	CHECKED BY
					TYPICAL GAS COMPRESSION SYSTEM SIMULATION FLOWSHEET			
					DATE	APPROVED	SHEET 1 of 2	
					PROJECT No.			REV.

TYPICAL GAS COMPRESSION SYSTEM
150 MMSCFD CASE
(HYSYS SIMULATION)



FILE: QTREF90B.HSC

(Visit our WEBSITE at www.triadenghou.com.)

No.	REVISION	BY	DATE	CHK.	Triad Engineering Baytown, Texas			
					LOCATION	SCALE	DRAWN BY	CHECKED BY
					TYPICAL GAS COMPRESSION SYSTEM SIMULATION FLOWSHEET			
					DATE	APPROVED	SHEET 2 of 2	
					PROJECT No.			REV.